

## OPERATION

- 1) Turn the unit on/off switch to the “on” position. The green light over the switch will illuminate if power is available to the unit.
- 2) The ionization adjustment knob is a six-position switch that can be used to adjust the level of ionization. When the knob is in the “0” position, no power is being applied to the ionization tubes. The red light over the knob will be off. Rotating the knob from “0” through “5” increases the ionization output and the red light illuminates.
- 3) The ionization level is set by the installing contractor and does not require adjustment on a regular basis. The resulting ionization level in the treated space should fall between 500 and 1500 ions/cm<sup>3</sup>. An ion meter can be used to measure the ionization level. Alternatively, the ionization level can be adjusted by the contractor or the end user until the desired air quality result is achieved. An Ion Meter can be purchased from Aerisa or your local distributor, [www.aerisa.com](http://www.aerisa.com).

## MAINTENANCE

**Warning:** The secondary voltage to the ionizing tubes can be 2,900 Volts AC. Always disconnect power to the unit and switch the power to the “off” position before performing any maintenance.

- 1) Tubes are rated for approximately one (1) year of service and should be replaced at that interval. Contact your local Aerisa Distributor/Dealer to purchase replacement tubes, [www.aerisa.com](http://www.aerisa.com).
- 2) Aerisa equipment requires very little maintenance, especially when the air in the system is properly filtered. On projects with heavily polluted air, the ionization tubes should be inspected every six months. The tubes should be cleaned, if necessary, at the six-month inspection. Always wear gloves for personal protection when handling the ionization tubes. To clean the tubes:
  - a) Remove the tubes from the unit, starting from the outside tubes and working inward.
  - b) Remove the wire mesh “sock” from the outside of the tubes. Wash the sock in clean soapy water. Dry the sock thoroughly.
  - c) Clean the outside glass of the tube with clean soapy water or commercially available glass cleaner. Dry the tube thoroughly.
  - d) Replace the sock and reinstall the tubes. Install the top middle tube first.

## REMOTE MONITORING

- 1) The unit is equipped with an alarm circuit that will close on loss of power. This circuit can be used to initiate a local alarm or be tied into a building automation system.
- 2) The circuit is rated for 1.0 amp at 240 VAC.
- 3) A nine conductor cable is provided with the unit. The black and white wires should be used to connect to the building’s monitoring equipment.

## TROUBLESHOOTING

If the unit is not working, check in order that:

- 1) The power switch is in the “on” position and that the green light illuminates.
- 2) The 1.0 Amp, glass cartridge fuse is not blown. The fuses are 5mm x 20mm rated at 250 volts and are available at any electrical supply store.
- 3) If the unit fuse is blown, remove all tubes and replace the fuse. Turn on power to the unit. If the fuse blows again, return the unit to the distributor for factory service.
- 4) If the fuse does not blow, the most likely problem is a cracked tube. Carefully inspect the tubes for cracks. Although rare, cracks are usually found at the capped end of the tube.
- 5) If the tube has been subjected to high temperatures, above 140° F, there is a possibility of a pin hole. These are difficult to spot, but can cause shorting of the tube. Install tubes into the unit one at a time, powering the unit after each tube installation. If the fuse blows, the last tube installed is defective and requires replacement.
- 6) If there seems to be a loss of effectiveness, check the tubes and clean them if necessary. If the tubes are more than a year old, replace them.

## INSTALLATION, OPERATION & MAINTENANCE MANUAL

**AERISA**  
**MODEL 5000**

REV 07/2018



©2018 All rights reserved



AERISA 1214 W. BOSTON POST ROAD, SUITE 410, MAMARONECK NY 10543  
480-302-6300 877-4-AERISA [info@erisa.com](mailto:info@erisa.com) [www.aerisa.com](http://www.aerisa.com)

**AERISA**  
The science of clean air

## INTRODUCTION

Aerisa models 5350 and 5550 air ion generators are 5-tube industrial quality units intended for installation in air handling units or in duct systems for commercial and industrial facilities.

This ionization equipment is effective in reducing harmful pollutants and odors by introducing positive and negative ions in the system airflow. The number of units and the size of the ionization tubes are dependent upon the airflow in the system and the severity of the pollution problem. Model number nomenclature is further specified as follows:

5X5Y: X = 3 (350 Tubes or "E") or 5 (550 Tubes or "F")

Y = 1 (120 Volts) or 2 (230 Volts)

For example, a 5551 is a 120 Volt, 5 tube unit with 550 Tubes

## MECHANICAL INSTALLATION INSTRUCTIONS

**Warning:** To reduce the risk of fire, this unit should not be installed downstream from a humidifier or exposed to other sources of moisture.

**Caution:** This product is suitable for mounting into duct of metallic construction only. Installation must be such that the structural integrity of the ducting is not compromised.

- Carefully remove the equipment from its shipping carton. Ensure that no damage occurred to any of the components.
- Install the ionizing tubes using the supplied friction nuts. Tighten the 4mm grounding clamp screws to ensure good contact with the tube sock. The top middle tube should be installed first.
- The units can either be installed inside an air handling unit or in the supply air ductwork. See figure 1 for acceptable mounting locations.

### Mounting location notes:

- Ensure sufficient airflow over the ionization tubes.
- Do not mount the units in the return air duct or before the system filter.
- Do not install immediately downstream of a humidifier.
- Allow sufficient space immediately downstream of the cooling coil to avoid moisture carryover.
- Disconnect any Electronic Air Cleaner.

- To mount the units inside an air handling unit, use "L" shaped brackets that are secured to the walls or floor of the AHU with sheet metal screws. The units should be installed so there is sufficient airflow across the ionization tubes, after the system filter, and not immediately downstream of the cooling coil to avoid any moisture carryover. See figure 2
- To mount the units in a duct, make a 19.5" X 9" rectangular cutout in the duct for a 5350 and a 26" X 9" cutout in the duct for a 5550. Pre-drill mounting screw holes using the unit as a template. The units have a flange gasket that forms a seal between the duct and the equipment.

- It is preferable, although not mandatory, to install the units with the tubes parallel to the airflow. See figure 2

- If multiple units are installed on the same duct, the units need to be installed around the perimeter of the duct so that ionized air from one unit does not pass over a second ionizing unit. See figure 3

- Units should be installed to allow access to the ionizing level adjustment switch and for general maintenance. The units should not be installed behind a suspended floor/ceiling or a structural wall, ceiling or floor.

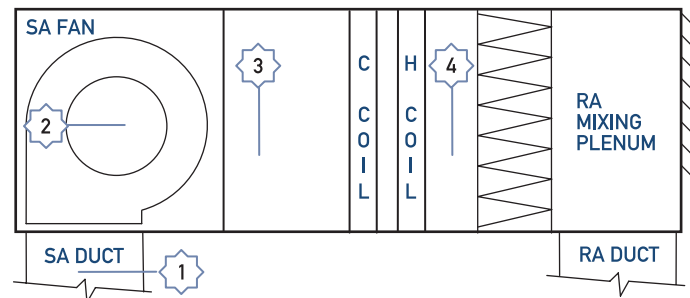


FIGURE 1 - SUGGESTED MOUNTING LOCATIONS IN TYPICAL AHU

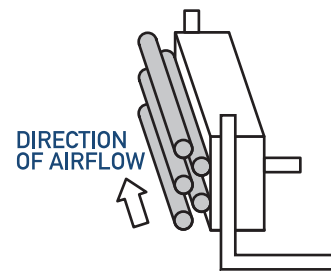


FIGURE 2 - SUGGESTED "L" BRACKET MOUNTING

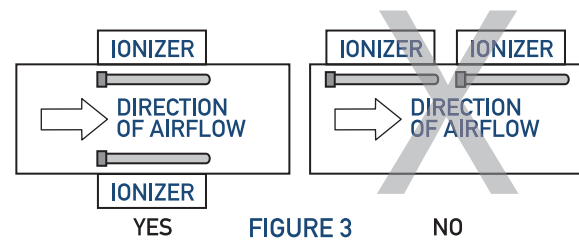


FIGURE 3

## ELECTRICAL INSTALLATION INSTRUCTIONS

**Warning:** The secondary voltage to the ionizing tubes can be 2,900 Volts AC. Do not connect to power before the installation is complete. Always disconnect power to the unit before handling any of the unit components.

- The power required is eight to 10 watts per ionizing tube. The typical 5551 unit draws about 50 watts. The power source should not be protected by a breaker exceeding 20 amps.
- The Model 5000 is available in two primary voltage models, nominally 120 volts AC or 230 volts AC. The units may be used on 50 cycle or 60 cycle frequencies. Verify that the Model 5000's voltage is the same as the available voltage by checking the UL label on the unit
- The unit should be powered when the system supply fan is energized. This can be accomplished by any of the following methods:
  - On systems with single speed supply fans, the fan power supply can be used.
  - Use an airflow switch in series with the unit's power supply.
  - Install a relay off the 24 volt fan control circuitry and wire the unit's power wiring through the NO contacts.
  - Install a supply fan power current sensing relay and wire the unit's power wiring through the NO contacts.
- A field-installed junction box should be installed within 4 feet of the unit. 3/8 inch flexible metal conduit or BX should be installed between the junction box and the power fitting shown in figure 4.

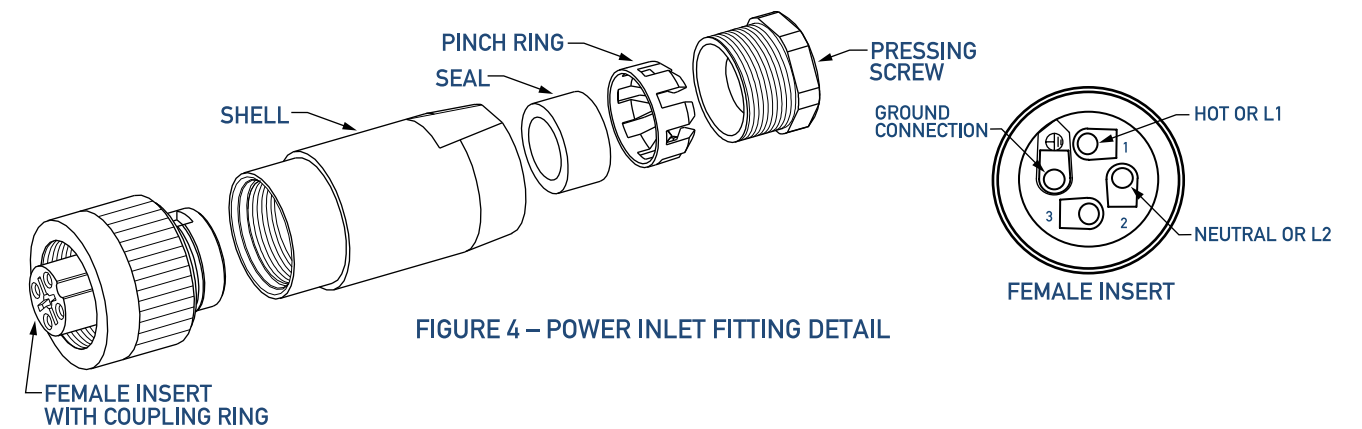


FIGURE 4 - POWER INLET FITTING DETAIL

- See figure 4. Step by step instructions for inserting power wiring into power inlet fitting:

- Trim the protective steel armor of the BX cable exposing between 1" and 1¼" of the internal wires.
- Strip the wires exposing 3/8" copper.
- Unscrew the Shell assembly from the Female Insert by pushing the Coupling Ring towards the Shell assembly and unscrewing counterclockwise.
- Unscrew the Pressing Screw counterclockwise exposing the Pinch Ring and rubber Seal.
- Slide the Pressing Screw, Pinch Ring, Seal, and Shell over the BX cable, insuring that all pieces are in the right order and direction as shown above.
- Insert the Hot or L1 (black) wire into the No. 1 hole on the Female Insert fitting. Insert the Neutral or L2 (white) wire into the No. 2 hole and the Ground wire into the ground hole. **NOTE: Inserting all three wires simultaneously makes the assembly process easier.** Tighten the set screws securely.
- Slide the Shell fitting towards the Female Insert fitting and screw together clockwise.
- Ensure that the rubber Seal is sitting snugly inside the large end of the Pinch Ring.
- Slide the Seal and Pinch Ring assembly and the Pressing Screw towards the Shell fitting.
- Insert the Seal and Pinch Ring assembly into the Shell fitting and screw the Pressing Screw into the Shell fitting securing the BX cable tightly into the Shell assembly.
- Plug the completed assembly into the male fitting on the ionization unit and screw the Coupling Ring clockwise to join the two fittings. The Female Insert will only fit onto the male fitting one way.