

AerBar PLUS - Submittal

The Aerisa AerBar-Plus is a needlepoint type bipolar ionizer arranged in a long narrow design and produces 35 million positive and negative ions per cubic centimeter when tested at 1" from the unit. The ionizer is installed on the entering side of the cooling coil of an air handling unit (AHU) or roof top unit (RTU). The installer mounts the AerBar-Plus using two (2) #8 sliding mounting studs in a slotted channel insuring that the ionization needles are pointed down to avoid debris accumulation. The included power supply can accept 115 or 230V AC selectable, 50/60Hz, single phase.

CFM	AerBarPLUS Model	Length (inches)	Weight (Lbs)
3750	AerBar-Plus-18	18	1.5
5000	AerBar-Plus-24	24	2.0
6250	AerBar-Plus-30	30	2.5
7500	AerBar-Plus-36	36	3.0
8750	AerBar-Plus-42	42	3.5
10000	AerBar-Plus-48	48	4.0
11250	AerBar-Plus-54	54	4.5
12500	AerBar-Plus-60	60	5.0
13750	AerBar-Plus-66	66	5.5
15000	AerBar-Plus-72	72	6.0
16250	AerBar-Plus-78	78	6.5
17500	AerBar-Plus-84	84	7.0
18750	AerBar-Plus-90	90	7.5
20000	AerBar-Plus-96	96	8.0

AerBarPLUS



AerBar-Plus Unit Specifications:

- Dimensions See Figure 1
- Length: 18" to 96"
- Ionizing Point Spacing: 0.75" on center
- Finish: Brushed Aluminum
- Needles Material: 316 Stainless Steel
- Ion Output: 35 million ions @ 1" (+/-)
- Mounting: Two #8 sliding mounting studs

AerBar-Plus Power Specifications:

- Input Voltage: 115V Standard / 23V Available
- Input Current: 0.5A (115V), 0.25A (230V)
- Operating Current: 5 mA
- Power Supply: One per AHU (can power up to 2 units)
- Power Wiring Conduit: 1/4" Liquid Tight

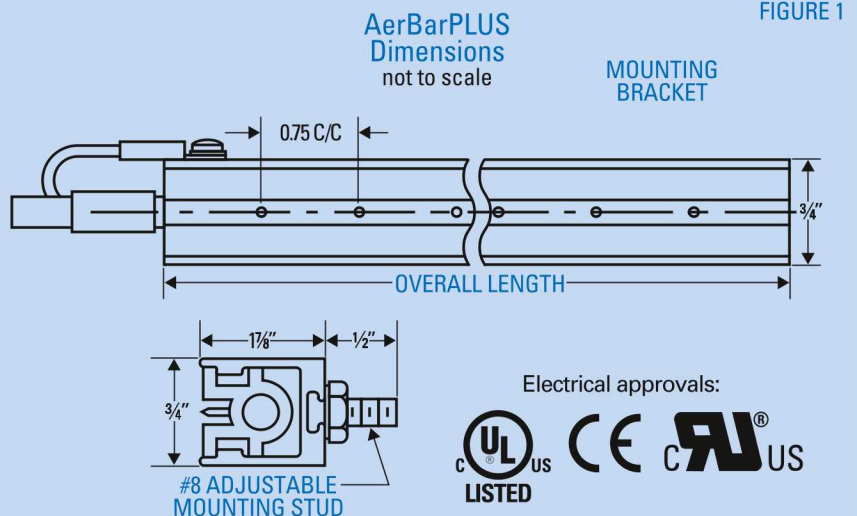
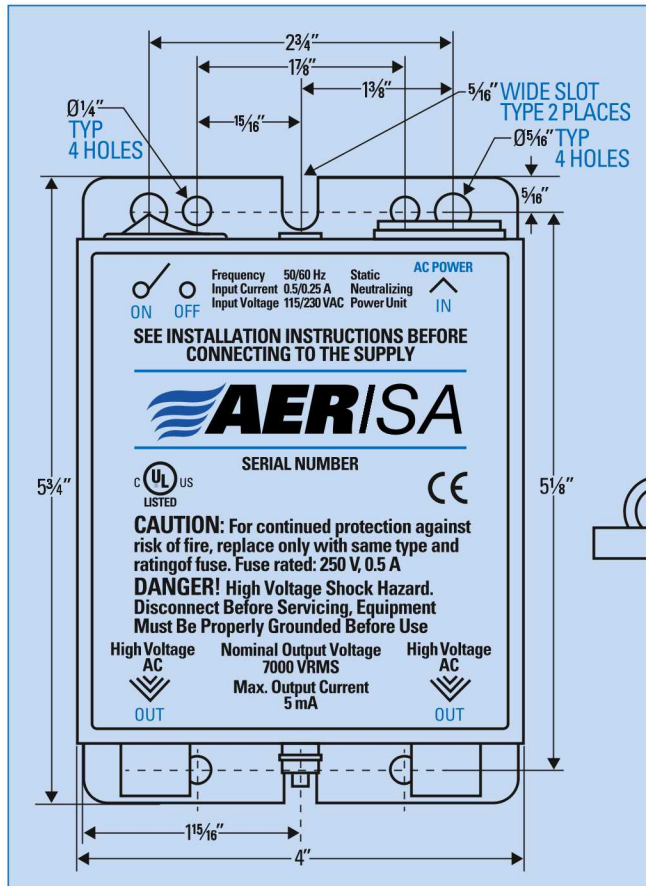


FIGURE 1

AerBarPLUS Dimensions not to scale

MOUNTING BRACKET