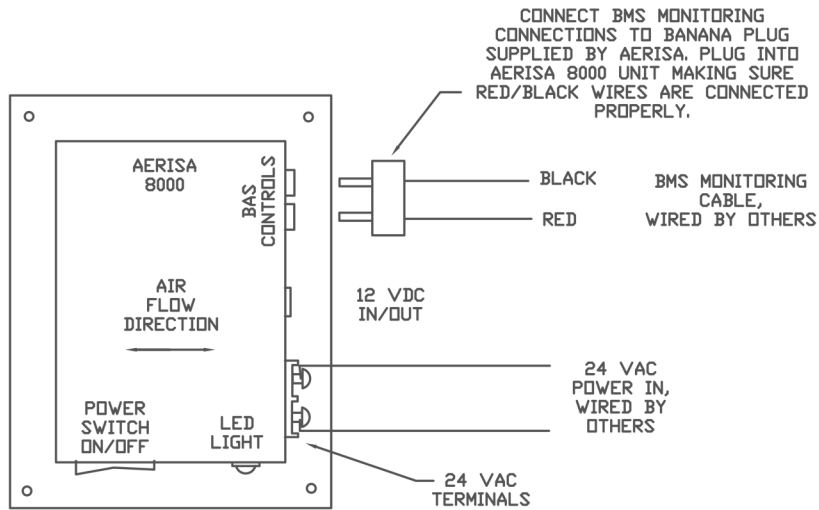


CUT A HOLE IN THE SUPPLY DUCT (5.125' X 7.125") TO SUIT AERISA 8000 SERIES. BE SURE TO LINE UP AERISA ION UNIT SO THAT AIR FLOW DIRECTION IS CORRECT.



CONNECT BMS MONITORING CONNECTIONS TO BANANA PLUG SUPPLIED BY AERISA. PLUG INTO AERISA 8000 UNIT MAKING SURE RED/BLACK WIRES ARE CONNECTED PROPERLY.

INSTALLATION INSTRUCTIONS:

1. CUT A HOLE IN SUPPLY DUCT 5- $\frac{1}{8}$ ' WIDE BY 7- $\frac{1}{8}$ ' HIGH TO SUIT THE AERISA MODEL 8000. (BE SURE AIR FLOW DIRECTION MATCHES UP THE AERISA NAMEPLATE AIR FLOW ARROWS.)
2. INSERT THE AERISA MODEL 8000 INTO THE OPENING AND FASTEN TO THE DUCT USING (4) SHEET METAL SCREWS.
3. CONNECT THE 24 VAC POWER INPUT WIRING TO THE TERMINAL BLOCK LABELED '24V AC TERMINALS' ON THE AERISA 8000.
4. WIRE THE BAS MONITORING CABLE TO THE FACTORY SUPPLIED BANANA PLUG (BAS DRY CONTACTS). PLUG THE BANANA PLUG INTO THE JACK ON THE AERISA MODEL 8000 WHERE LABELED 'BAS CONTROLS'.
5. TURN THE POWER SWITCH TO THE ON POSITION. THE GREEN INDICATOR LIGHT WILL ILLUMUNATE INDICATING PROPER FUNCTION AND THE NORMALLY OPEN DRY CONTACTS WILL CLOSE ALLOWING MONITORING SIGNAL TO RETURN TO THE BAS.

NOTES:

1. FIELD VERIFY EXACT LOCATION OF MOUNTING LOCATIONS.
2. ALL FIELD WIRING SHALL BE DONE BY OTHERS PER NEC CODE AND AUTHORITY HAVING JURISDICTION.

AERISA
1214 W. Boston Post Road, Suite 410
Mamaroneck, NY 10543
TEL: 480-302-6300 or 877-4-AERISA (23742)
EMAIL: info@aerisa.com

MODEL 8000 SERIES
INSTALLATION INSTRUCTIONS

SCALE	NONE	DATE	07/24/2014	DWG. No. 8000
DRAWN BY	NHS	CHECKED BY	JJC	
DESIGNED BY	NHS	PROJECT No.	8000 IOM	