



INSTALLATION, OPERATION & MAINTENANCE MANUAL

AERISA

Model 8100, 8200, 8300

01/21



INTRODUCTION

The Aerisa Model 8000 is a needle point ionizer that utilizes pairs of brushes to produce positive and negative ions. The unit may be either mounted in a metal duct or installed inside an HVAC unit. Using the predrilled flange, factory-applied gaskets and sheet metal screws, the Model 8000 mounts into a duct cutout and protrudes past typical ductliner. A mounting bracket is required for HVAC unit installation. The Model 8000 accepts 24V AC power directly, via a 120V AC to 12V DC wallpack or using a 120/230V AC to 12V DC in-line transformer. Integral dry contacts enable remote monitoring of the Model 8000.

Aerisa 1214 W. Boston Post Road, Suite 410, Mamaroneck, NY 10543

Tel: 480-302-6300

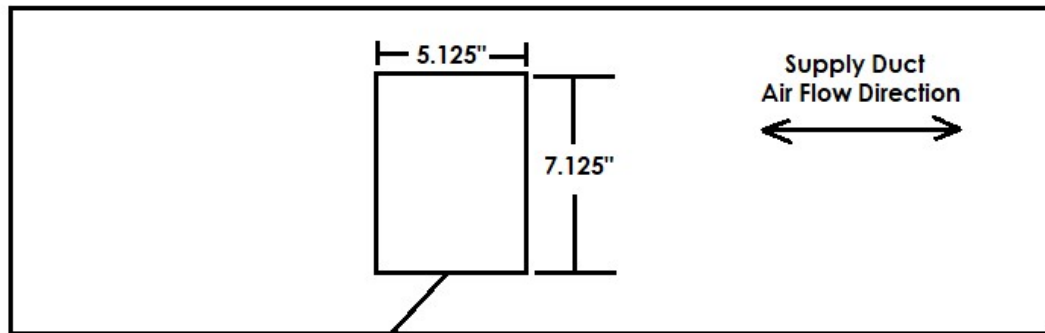
www.aerisa.com



MECHANICAL INSTALLATION INSTRUCTIONS

GENERAL MOUNTING CRITERIA:

1. Cut a hole in supply duct 5 1/8" wide by 7 1/8" high to suit the Aerisa model 8000. (Be sure direction matches up with the Aerisa nameplate air flow arrows).
2. Insert the Aerisa model 8000 into the opening and fasten using four (4) sheet metal screws.

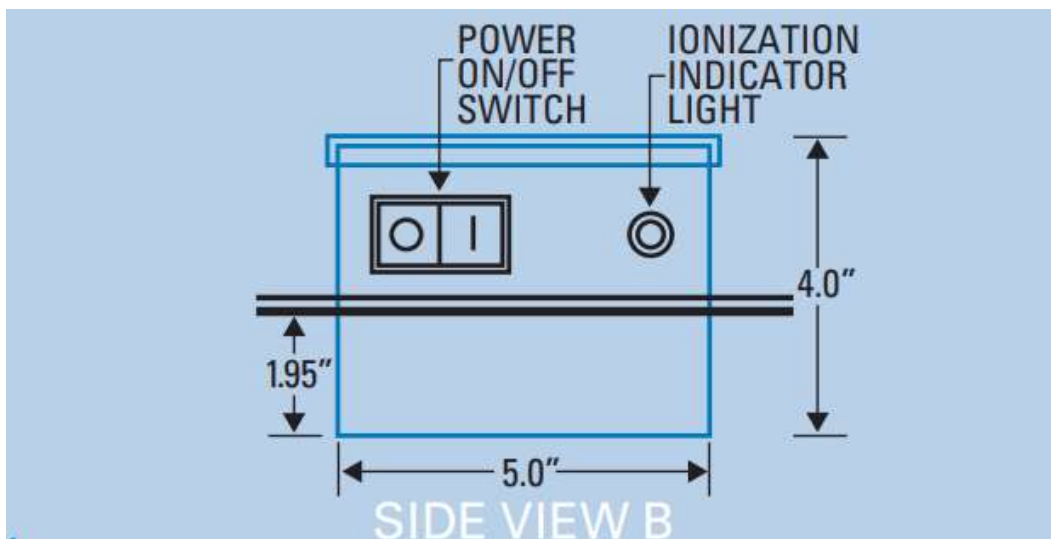
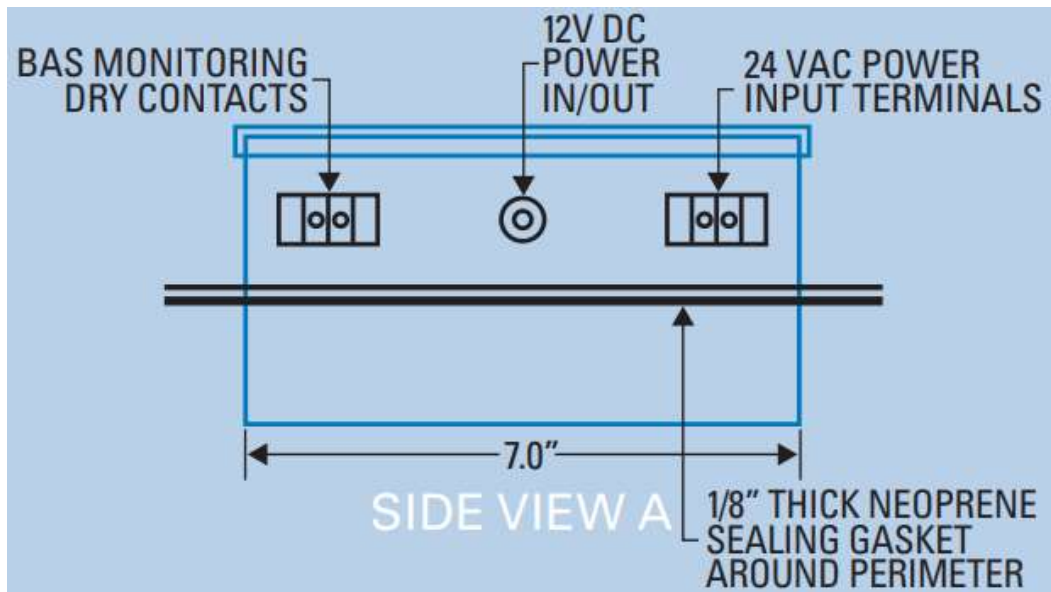


Cut a hole in the supply duct (5.125" x 7.125") to suit the Aerisa Model 8000 Series. Be sure to line up Aerisa Ion unit so that the air flow direction is correct



ELECTRICAL INSTALLATION INSTRUCTIONS

1. Connect the 24 VAC power input wiring to the terminal block labeled "24 VAC Terminals" on the Aerisa model 8000.
2. Wire the BAS monitoring cable to the factory supplied banana plug (BAS dry contacts). Plug the banana plug into the jack on the Aerisa model 8000 where labeled "BAS Controls".
3. Turn the power switch to the ON position. The green indicator light will illuminate indicating proper function and the normally open dry contacts will close allowing monitoring signal to return to the BAS.





OPERATION

1. When power is supplied to the ionizer, the ionizer will be activated and will illuminate the green ion indicator light.
2. The ionization unit is self-balancing and does not require any type of adjustment.

MAINTENANCE

Given good particulate filter maintenance, there is no maintenance required on the Aerisa Model 8000 unit. However, a periodic visual inspection of the brushes to insure there is no particulate build up is needed. If there is particulate build up, perform the following procedure.

1. **TURN POWER OFF TO THE MODEL 8000 UNIT PRIOR TO PERFORMING THIS PROCEDURE.**
2. Remove Aerisa Model 8000 unit from the duct work and visually inspect the brushes.
3. If there is particulate build up on the brushes, simply use a small brush to gently knock the build up off.
4. Repeat this for all brushes and then secure the Aerisa Model 8000 back to the duct and reapply power.